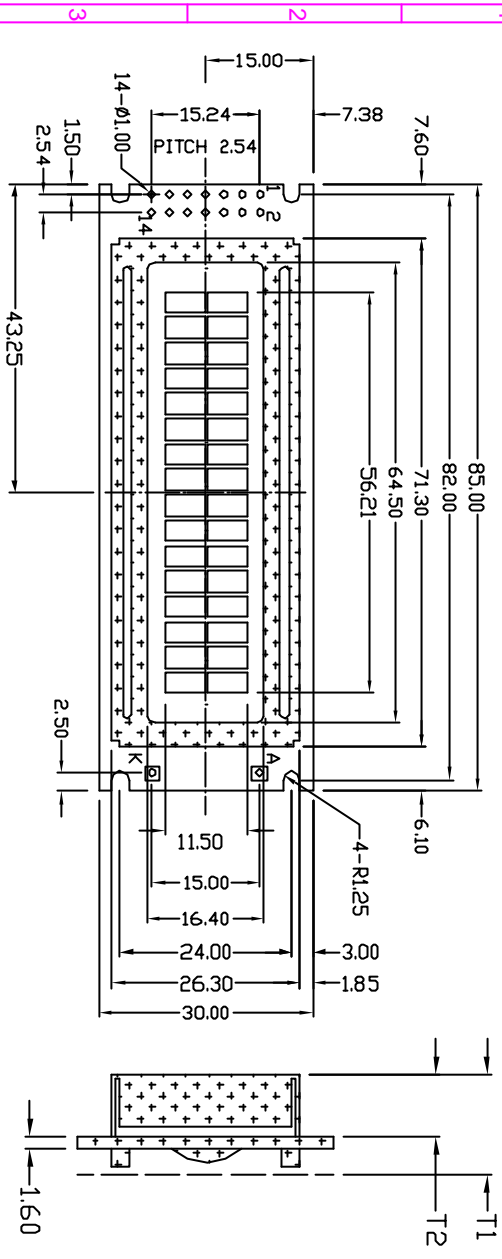
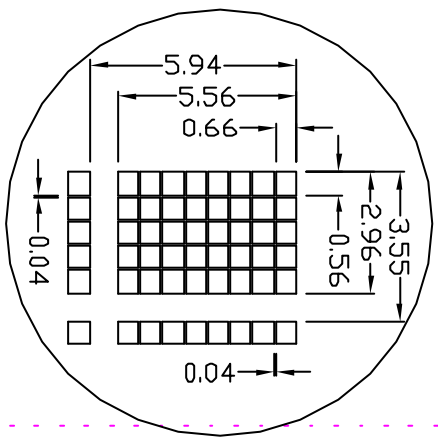
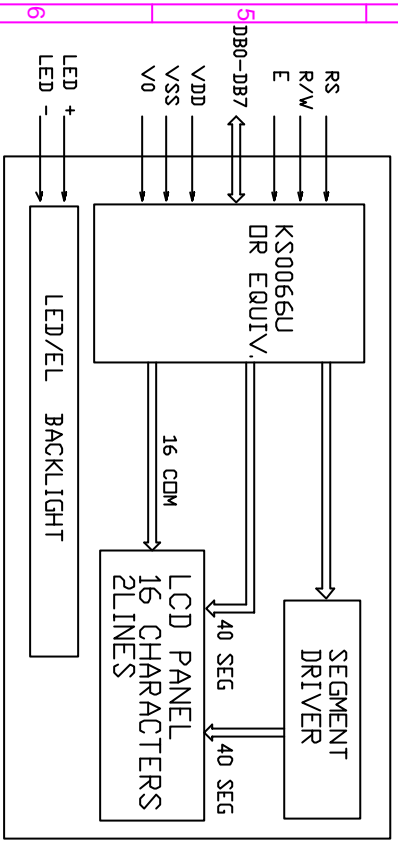


REVISIONS			
NO.	DATE	BY	DESCRIPTION
1	01/06/18	A.CH	NEW RELEASE



* FOR LED BACKLIGHT
 T1=14.0MAX T2=9.0±0.3
 * FOR EL OR ND BACKLIGHT
 T1=10.0MAX T2=5.0±0.3



PINS ASSIGNMENT			
NO.	SYMBOL	DESCRIPTION	
1-8	DB7--DB0	DATA BUS 1-DB7,8-DB0	
9	E	ENABLE SIGNAL	
10	R/W	READ/WRITE CONTROL	
11	RS	DATA/INSTRUCTION SELECT	
12	V0	OPERATING VOLTAGE FOR LCD	
13	VSS	POWER SUPPLY	
14	VDD	POWER SUPPLY FOR LED BACKLIGHT (+)	
K	A	POWER SUPPLY FOR LED BACKLIGHT (-)	

ABSOLUTE MAXIMUM RATING			
ITEM	SYMBOL	MIN	MAX UNIT
POWER SUPPLY(VDD)	VDD-VSS	-0.3	7.0 V
POWER SUPPLY(LCD DRV.)	VDD-V0	-0.3	13.5 V
INPUT VOLTAGE	VI	-0.3	VDD V

ELECTRICAL CHARACTERISTICS (VDD=5.0±0.25V, 25°C)				
ITEM	SYMBOL	MIN	TYP	MAX UNIT
VOLTAGE FOR LOGIC	VDD-VSS	4.75	5.0	5.25 V
SUPPLY CURRENT	IDD	-	1.3	2.2 mA
VOLTAGE FOR LCD	VDD-V0	-	4.7	- V
INPUT VOLTAGE	VI	2.2	-	VDD V
	VIL	-0.3	-	0.6 V
	V0H	2.4	-	- V
OUTPUT VOLTAGE	VO	-	-	0.4 V

MECHANICAL SPECIFICATIONS		
ITEM	SPECIFICATION	UNIT
OVERALL SIZE	85.0W x 30.0H x 14.0T(10.0T)	MM
VIEWING AREA	64.5W x 16.4H	MM
CHARACTERS	16 CHARACTERS x 2 LINES	MM
CHARACTER SIZE	2.96W x 5.56H	MM
CHARACTER PITCH	3.55W x 5.94H	MM

- OPTIONS
- LCD TYPE: Y/G STN, GRAY STN, TN
 - BACKLIGHT: WITHOUT BACKLIGHT, LED, EL
 - COLOR OF BACKLIGHT: Y/G, BLUE, WHITE
 - TEMPERATURE RANGE: NDMA(L0--50C) EXTENDED(-20--70C)
 - POWER SUPPLY: 5.0V, 3.0V
 - VIEWING ANGLE: 6H, 18H
 - CHARACTER TABLE: JAPANESE, EUROPEAN, CYRILLIC

NT-C1628A

16 CHARACTERS X 2 LINES



ALL DIMENSIONS ARE IN MM. TOLERANCE IS +/-0.2 UNLESS OTHERWISE NOTED.

