

REVISIONS			
NO.	DATE	BY	DESCRIPTION
1	01/06/18	A.CH	NEW RELEASE

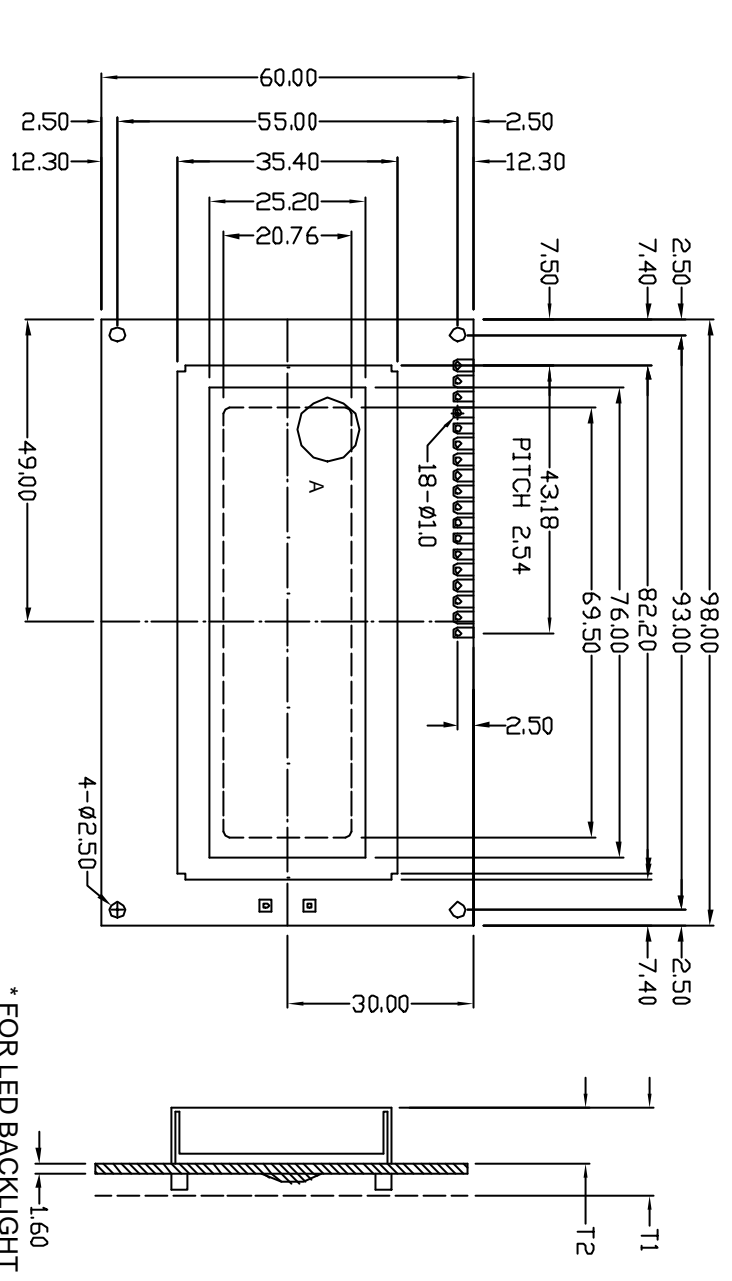
PINS ASSIGNMENT			
NO.	SYMBOL	DESCRIPTION	
1	VSS	GROUND	
2	VDD	POWER SUPPLY FOR LOGIC AND LCD	
3	V0	OPERATING VOLTAGE FOR LCD	
4	A0	DATA/INSTRUCTION SELECT	
5	E1	READWRITE ENABLE SIGNAL(MASTER)	
6	E2	READWRITE ENABLE SIGNAL(SLAVE)	
7-14	DB0-DB7	DATA BUS	
15	A	POWER SUPPLY FOR LED BACKLIGHT(+)	
16	K	POWER SUPPLY FOR LED BACKLIGHT(-)	
17	R/W	READWRITE SELECT	
18	/RST	RESET SIGNAL(LOW EFFECTIVE)	

ABSOLUTE MAXIMUM RATING			
ITEM	SYMBOL	MIN	MAX
POWER SUPPLY(LOGIC)	VDD-VSS	0	6.5
POWER SUPPLY(LCD DRV.)	VDD-V0	0	10.0
INPUT VOLTAGE	VI	VI	VDD

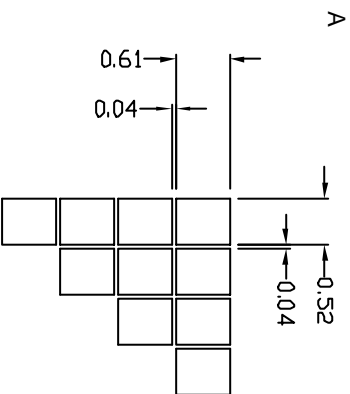
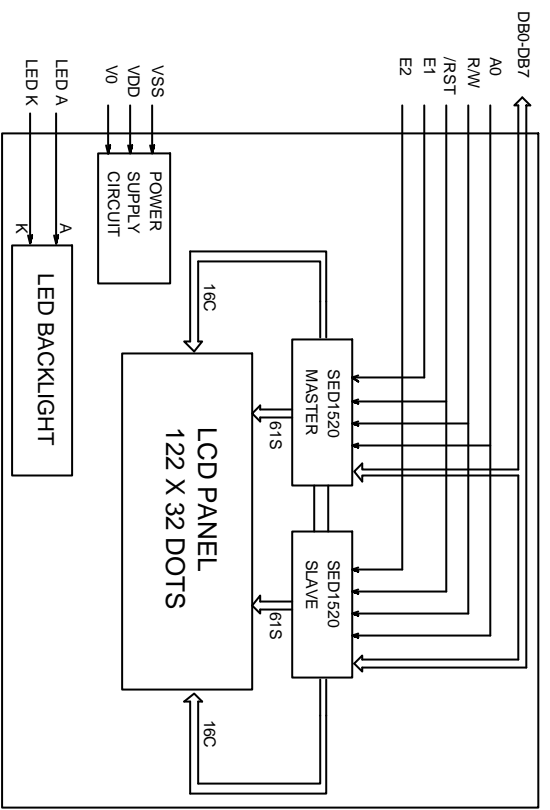
ELECTRICAL CHARACTERISTICS					
ITEM	SYMBOL	MIN	TYP	MAX	UNIT
VOLTAGE FOR LOGIC	VDD-VSS	4.75	5.0	5.25	V
	IDD	-	300	500	uA
	OPERATING CURRENT	IDD	-	300	500
LCD OPERATING VOLTAGE	0C	-	6.2	-	V
	25C	-	5.8	-	V
	40C	-	5.6	-	V
INPUT VOLTAGE	H	V <sub>IH</sub>	0.8VDD	-	V
	L	V <sub>IL</sub>	0	0.2VDD	V

MECHANICAL SPECIFICATIONS		
ITEM	SPECIFICATION	UNIT
OVERALL SIZE	98.0W x 60.0H x 14.0T(10.0T)	MM
VIEWING AREA	76.0W x 25.2H	MM
DOT NUMBER	122 x 32	DOTS
DOT SIZE	0.52W x 0.61H	MM
DOT PITCH	0.56W x 0.65H	MM

OPTIONS	
1. LCD TYPE:	Y/G STN: GRAY STN;
2. BACKLIGHT:	WITHOUT BACKLIGHT; LED; EL
3. COLOR OF BACKLIGHT:	Y/G: BLUE; WHITE
4. TEMPERATURE RANGE:	NORMAL(0--50C); EXTENDED(-20--70C)
5. POWER SUPPLY:	ON BOARD DC/DC(SINGLE 5.0V); DUAL POWER SUPPLY(6.0V & -5.0V)
6. VIEWING ANGLE:	6H: 12H



\* FOR LED BACKLIGHT  
T1=14.0MMAX T2=9.0±0.3  
\* FOR EL OR NO BACKLIGHT  
T1=11.0MMAX T2=6.0±0.3



NT-G122323A

122 X 32 DOTS GRAPHIC LCM



ALL DIMENSIONS ARE IN MM. TOLERANCE IS +/-0.2 UNLESS OTHERWISE NOTED.

