

REVISIONS			
NO.	DATE	BY	DESCRIPTION
1	01/06/18	ACh	NEW RELEASE

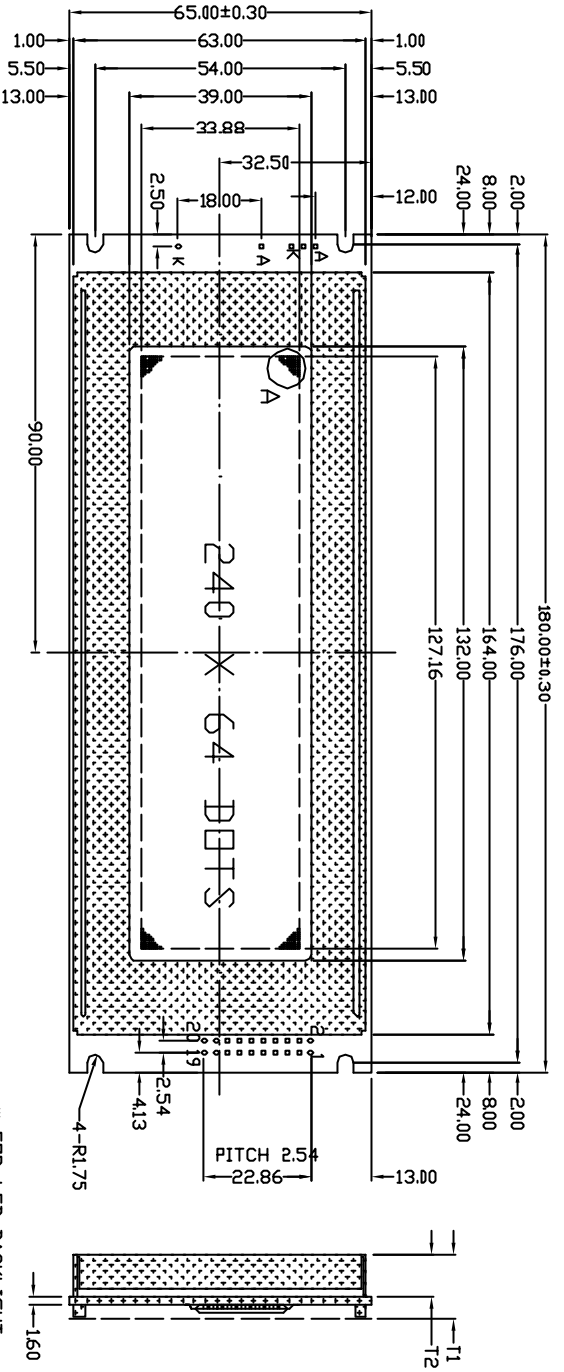
NO.	SYMBOL	DESCRIPTION
1	VSS	POWER SUPPLY GROUND
2	VDD	POWER SUPPLY (+)
3	V0	CONTRAST ADJUST
4	RS	COMMAND/DATA SELECT
5	R/W	DATA READ/WRITE
6	E	ENABLE SIGNAL
7-14	DB0-DB7	DATA BUS
15	/CS	CHP SELECT: LOW EFFECT
16	/RST	RESET: LOW EFFECT
17	VEE	NEGATIVE VOLTAGE OUTPUT(-10V)
18	NC	NO CONNECTION
19	LEDA	POWER SUPPLY FOR BACKLIGHT(+)
20	LEDK	POWER SUPPLY FOR BACKLIGHT(-)

ABSOLUTE MAXIMUM RATING			
ITEM	SYMBOL	MIN	MAX
POWER SUPPLY VOLTAGE	VDD-VSS	-0.3	7.0
POWER SUPPLY VOLTAGE	VDD-VSS	0	2.20
INPUT VOLTAGE	VI	-0.3	VDD+0.3

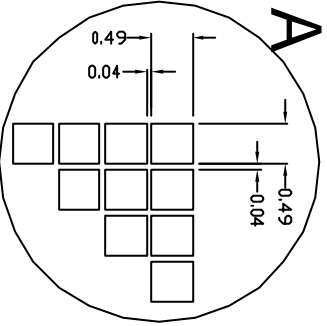
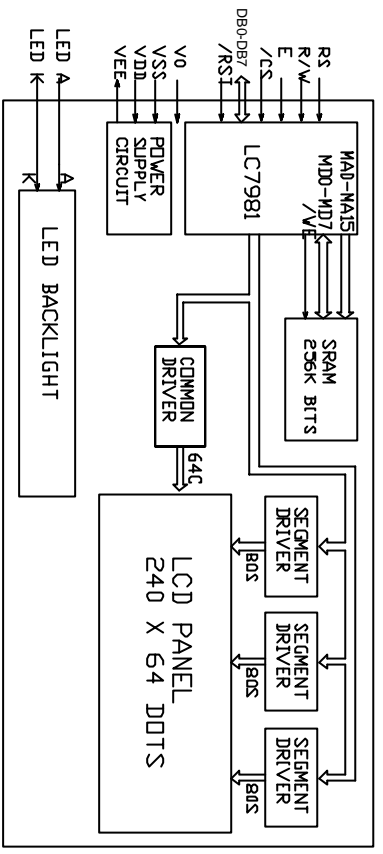
ELECTRICAL CHARACTERISTICS					
ITEM	SYMBOL	MIN	TYP	MAX	UNIT
VOLTAGE FOR LOG(VDD)-VSS	4/5	5.0	5.25	-	V
SUPPLY CURRENT IOD	-	8.7	-	-	mA
IC	-	14.3	-	-	V
LCD OPERATING VOLTAGE	VDD-V0	-	13.5	-	V
ESD	-	130	-	-	V
INPUT VOLTAGE	VIH	0.7	VDD	-	V
VIL	0	-	0.5	VDD	V

MECHANICAL SPECIFICATIONS		
ITEM	SPECIFICATION	UNIT
OVERALL SIZE	180.0V x 65.0H x 14.0T(1.1T)	MM
VIEWING AREA	132.0V x 39.0H	MM
DOT NUMBER	240 x 64	DOTS
DOT SIZE	0.49V x 0.49H	MM
DOT PITCH	0.53V x 0.53H	MM

- OPTIONS**
1. LCD TYPE, Y/G STN, GRAY STN, B/W FSTN
  2. BACKLIGHT, WITHOUT BACKLIGHT, LED, EL
  3. COLOR OF BACKLIGHT, Y/G, BL, LE, WHITE
  4. TEMPERATURE RANGE, NORMAL(0-50C), EXTENDER(-20-70C)
  5. POWER SUPPLY, DUAL BAND 3C/DC(SINGLE 50V), DUAL POWER SUPPLY(5.0V & -10.0V)
  6. VIEWING ANGLE, 6H, 12H



\* FOR LED BACKLIGHT  
 TH1=14.0MAX TH2=9.0MAX  
 \* FOR EL OR NO BACKLIGHT  
 TH1=11.0MAX TH2=6.0MAX



NT-G240642A

240 X 64 DOTS GRAPHIC LCM



ALL DIMENSIONS ARE IN MM. TOLERANCE IS +/-0.2 UNLESS OTHERWISE NOTED.

